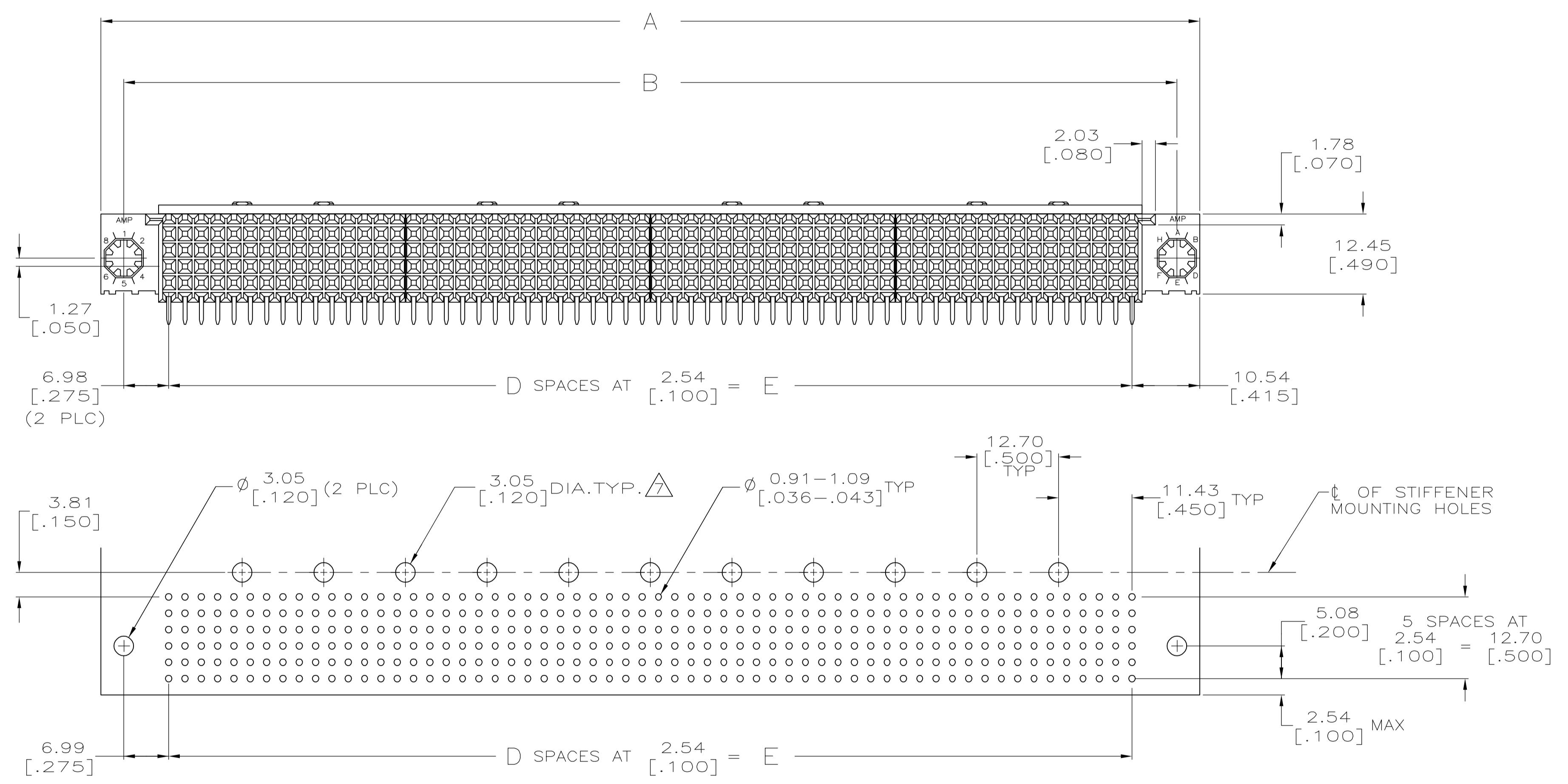
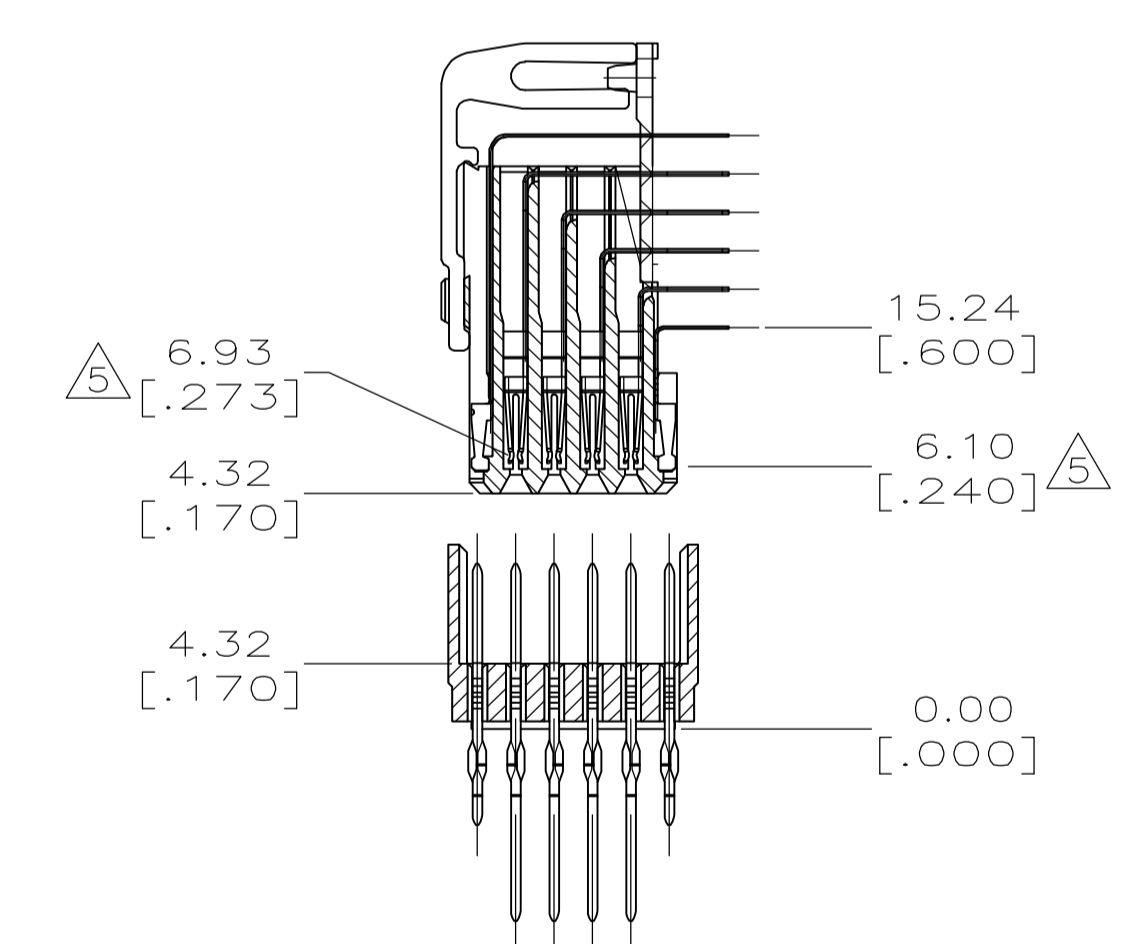
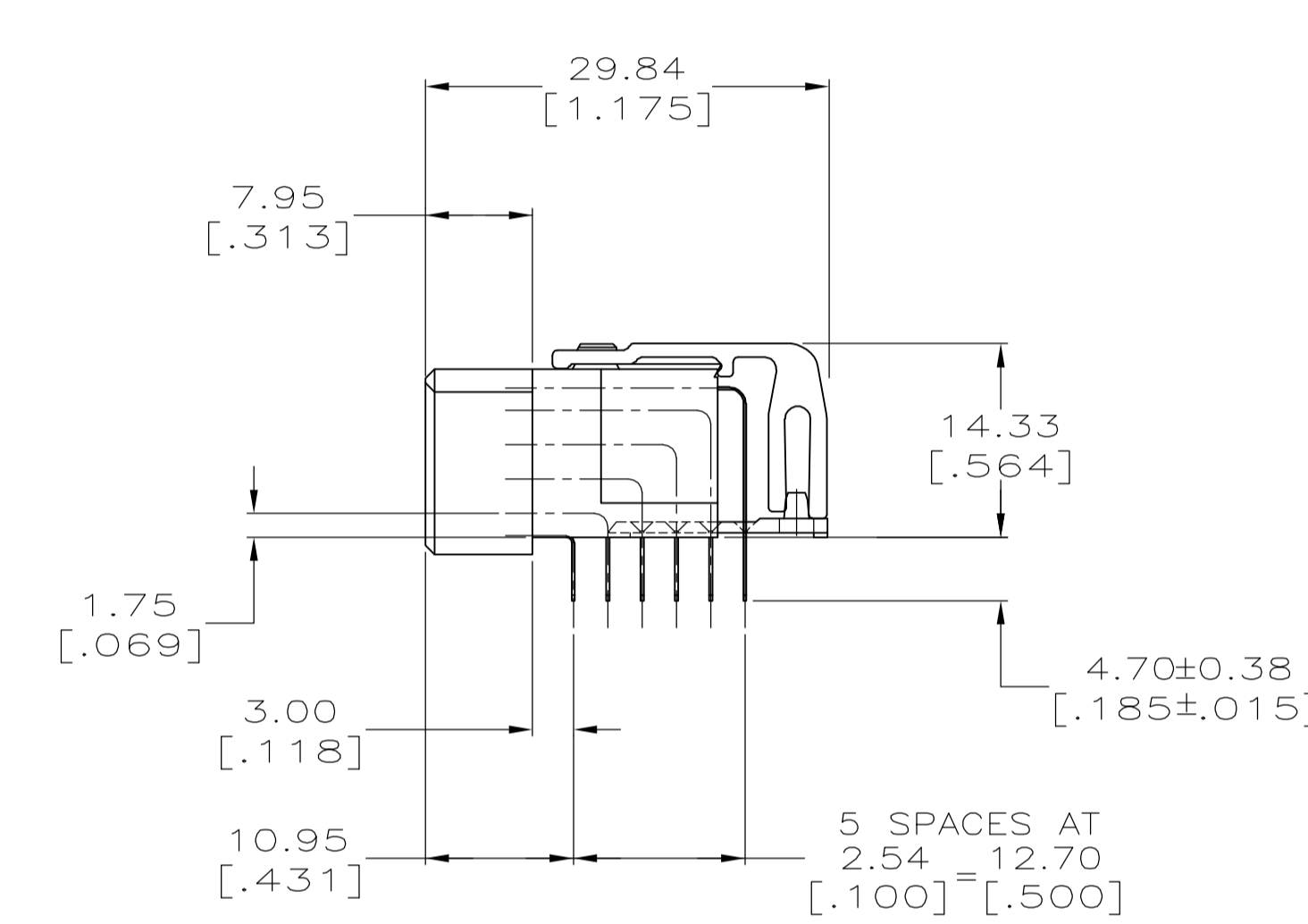


- 1 HOUSING MATERIAL: GLASS FILLED POLYESTER, COLOR: BLACK.
- 2 CONTACT MATERIAL: COPPER ALLOY.
- 3 STIFFENER MATERIAL: ALUMINUM.
- 4 CONTACT FINISH: 0.00127 [.000050] NICKEL UNDERPLATE ALL OVER, 0.00076 [.000030] GOLD PLATE IN CONTACT AREAS. TIN-LEAD PLATE ON TAILS.
- 5 FINAL MATING POSITION OF RECEPTACLE CONTACT TINES.
- 6 GUIDE PINS AND KEYS SOLD SEPERATELY.
- 7 RECOMMENDED MOUNTING SCREW IS A BINDING HEAD #2 THREAD FORMING TYPE AB THREADS; STAINLESS STEEL. MAXIMUM SPACING OF 38.10 [1.500] INCHES.
- 8 AMP, AMP PART NUMBER AND DATE CODE MARKED IN THIS APPROXIMATE AREA.



RECOMMENDEC P.C. BOARD LAYOUT



MATING DIMENSIONS REFERENCE

OBSOLETE	535919-7	360	170.94 [6.730]	163.83 [6.450]	153.01 [6.024]	59	149.86 [5.900]
OBSOLETE	535919-6	330	158.24 [6.230]	151.13 [5.950]	140.31 [5.524]	54	137.16 [5.400]
	535919-5	300	145.54 [5.730]	138.43 [5.450]	127.61 [5.024]	49	124.46 [4.900]
OBSOLETE	535919-4	270	132.84 [5.230]	125.73 [4.950]	114.91 [4.524]	44	111.76 [4.400]
	535919-3	240	120.14 [4.730]	113.03 [4.450]	102.21 [4.024]	39	99.06 [3.900]
	535919-2	210	107.44 [4.230]	100.33 [3.950]	89.92 [3.540]	34	86.36 [3.400]
OBSOLETE	535919-1	180	94.74 [3.730]	87.63 [3.450]	76.81 [3.024]	29	73.66 [2.900]
	PART NUMBER	POSN	A	B	C	D	E

OBSOLETE	1-535919-4	630	285.24 [11.23]	278.13 [10.950]	267.31 [10.524]	104	264.16 [10.400]
	1-535919-3	480	221.74 [8.730]	214.63 [8.450]	203.81 [8.024]	79	200.66 [7.900]
	1-535919-2	600	272.54 [10.730]	265.43 [10.450]	254.61 [10.024]	99	251.46 [9.900]
	1-535919-1	540	247.14 [9.730]	240.03 [9.450]	229.21 [9.024]	89	226.06 [8.900]
	1-535919-0	450	209.04 [8.230]	201.93 [7.950]	191.11 [7.524]	74	187.96 [7.400]
	535919-9	420	196.34 [7.730]	189.23 [7.450]	178.41 [7.024]	69	175.26 [6.900]
OBSOLETE	535919-8	390	183.64 [7.230]	176.53 [6.950]	165.71 [6.524]	64	162.56 [6.400]
	PART NUMBER	POSN	A	B	C	D	E

THIS DRAWING IS A CONTROLLED DOCUMENT.

DIMENSIONS: mm [INCHES]	TOLERANCES UNLESS OTHERWISE SPECIFIED:	DIN R.K. SEIFRIED/UTA 06/01/91	tyco Tyco Electronics Corporation Harrisburg, PA 17105-3608
0 PLC ± -	1 PLC ± -	CHK D. HOFFMAN 09-21-92	APVD D. HOFFMAN 09-21-92
2 PLC ± -	3 PLC ± 0.13 [.005]	NAME	PRODUCT SPEC
4 PLC ± -	ANGLES ± -	APPLICATION SPEC	ASSEMBLY, RECEPTACLE, TBC PLUS, 6 ROW, MODULE
MATERIAL	FINISH	SIZE	SCALE 2:1
1 2 3 4	4	00779	SHEET 1 OF 1
CUSTOMER DRAWING	WEIGHT	DRAWING NO. 535919	REV J1